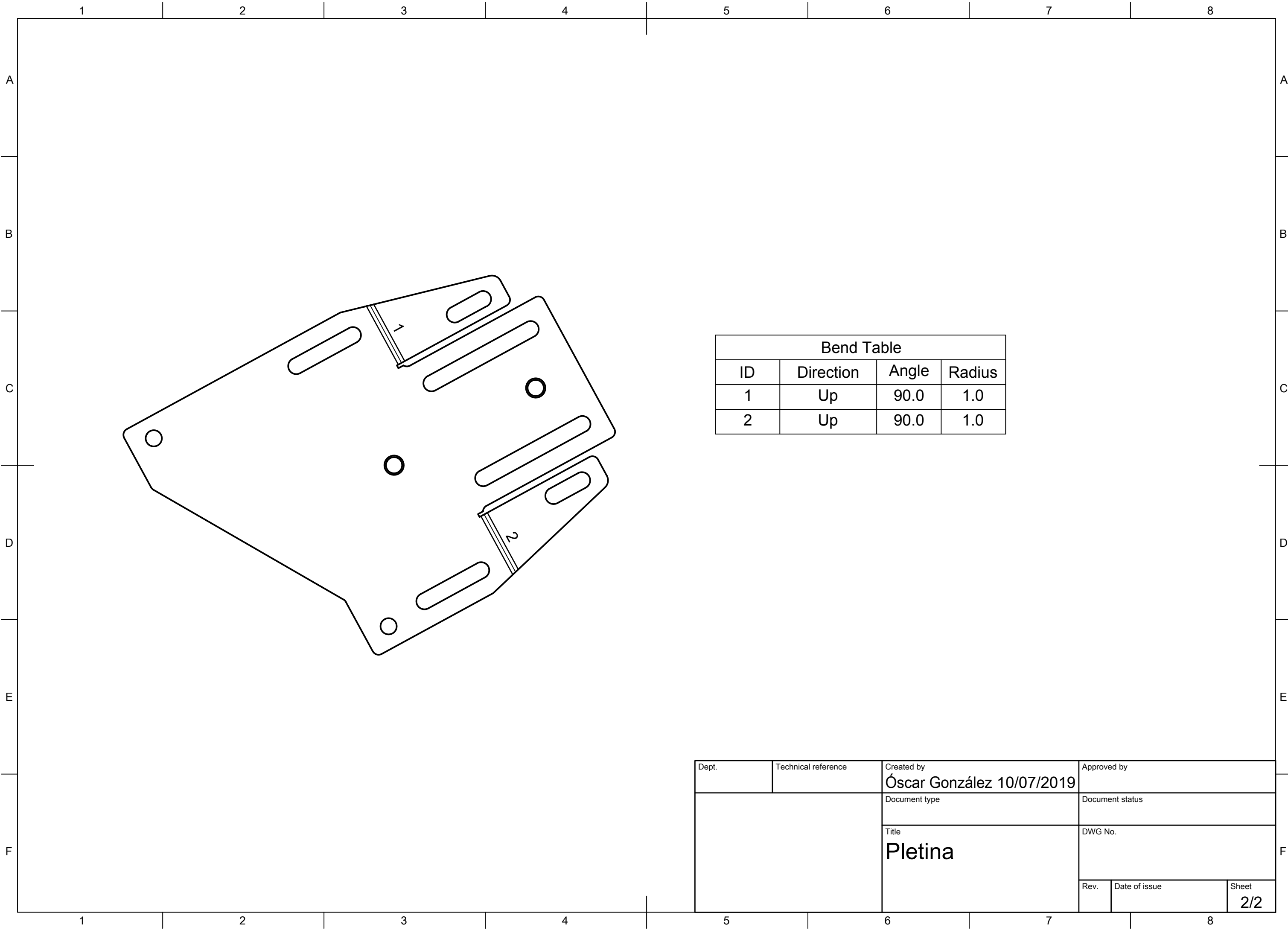


Dept.	Technical reference	Created by	Approved by	
		Document type	Document status	
		Title	DWG No.	
		Rev.	Date of issue	Sheet



Bend Table			
ID	Direction	Angle	Radius
1	Up	90.0	1.0
2	Up	90.0	1.0

Dept.	Technical reference	Created by Óscar González 10/07/2019	Approved by	
		Document type	Document status	
		Title Pletina	DWG No.	
		Rev.	Date of issue	Sheet 2/2